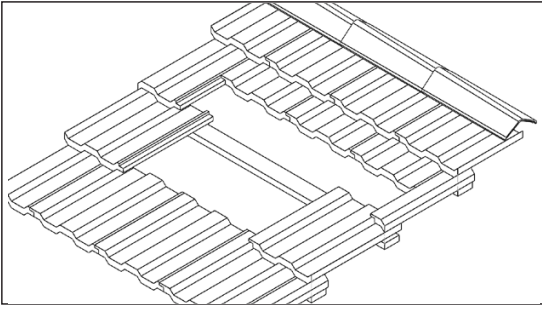


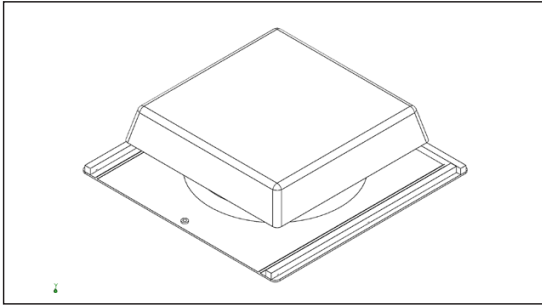
# SV200

## INSTALLATION INSTRUCTIONS TILE ROOF



### Step 1

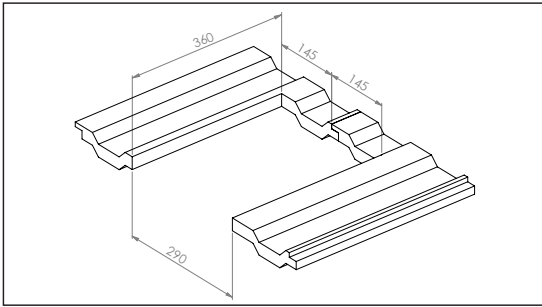
Push back three tiles above the two tiles you have selected as install location.



### Step 2

Remove backing & place Foam Strip on the top and two sides of the Flange, ensuring to cover holes.

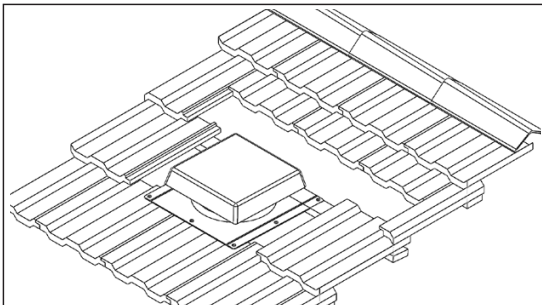
*Note: Vent is positioned portrait - longer side running upward (see lines on flange).*



### Step 3

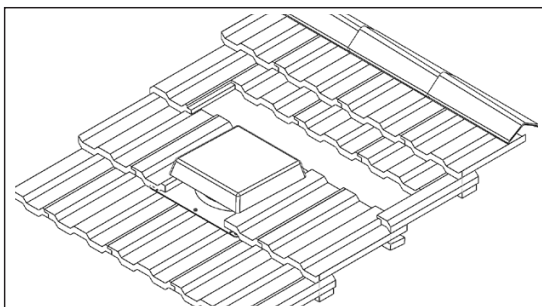
Using an Angle Grinder, cut out an opening between the two tiles for the Vent.

From the bottom of each tile, cut up 360mm, 145mm in from the Vent edge.



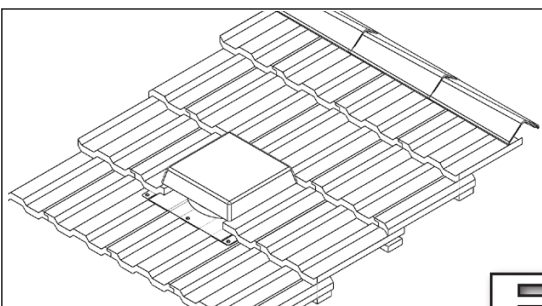
### Step 4

Fix Vent to Batten using screw, so the Vent will accommodate cut tiles.



### Step 5

Replace two cut tiles so surrounding Vent



### Step 6

Pull down top three tiles into original position.